



L6 TONGUE MOUNT

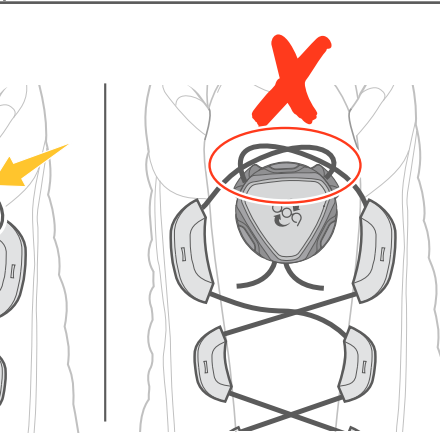
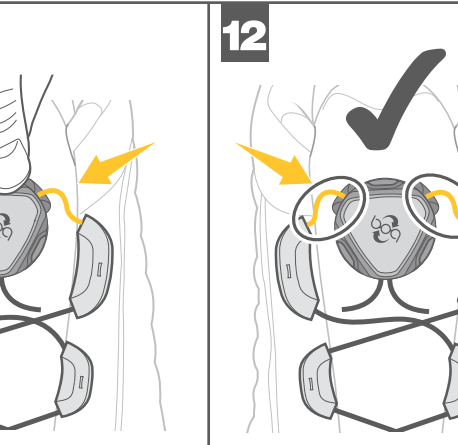
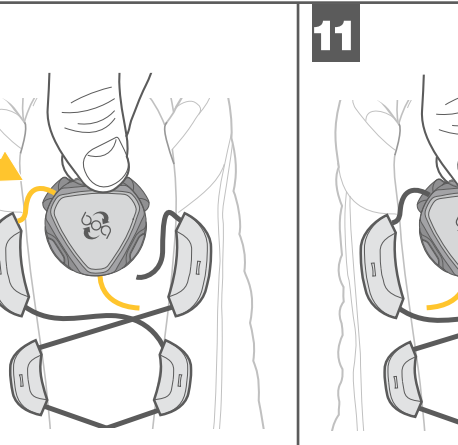
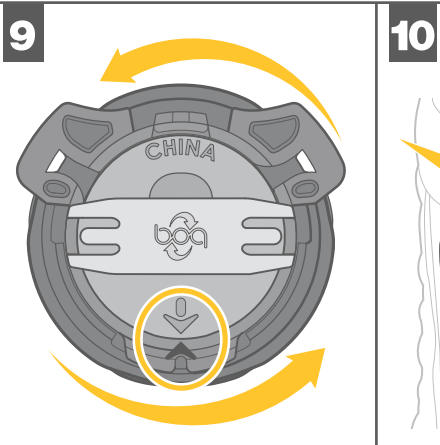
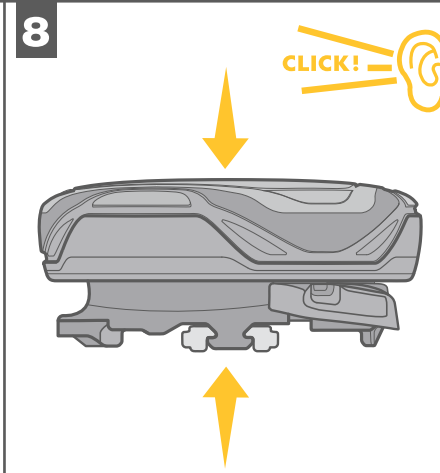
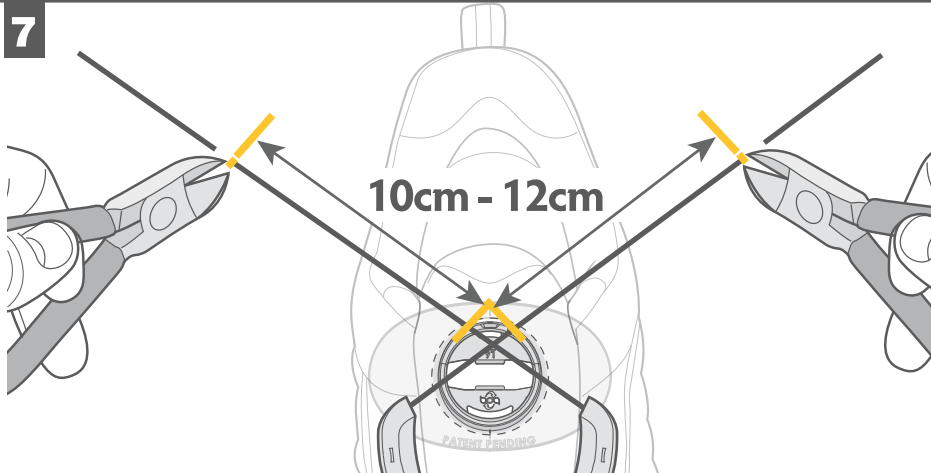
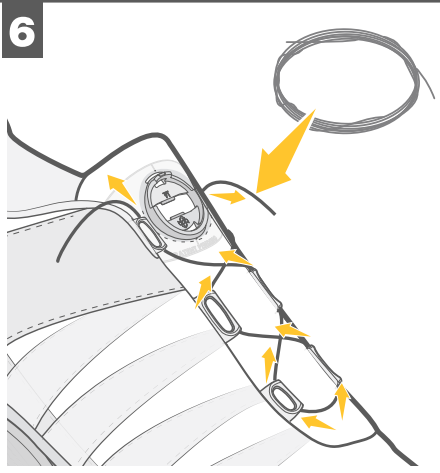
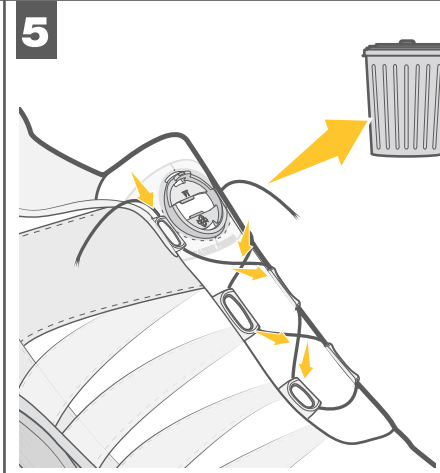
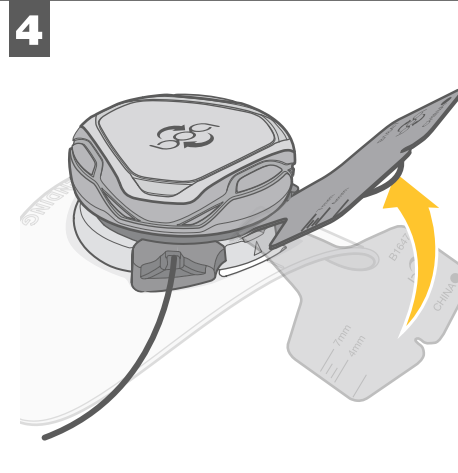
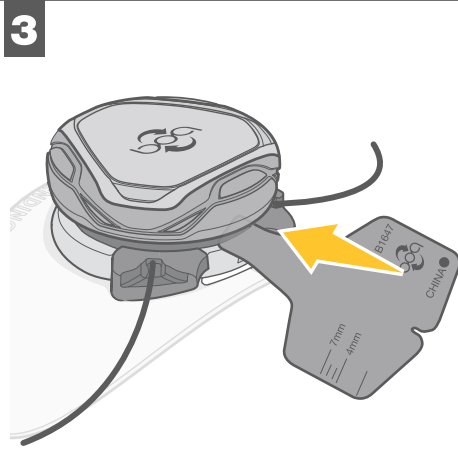
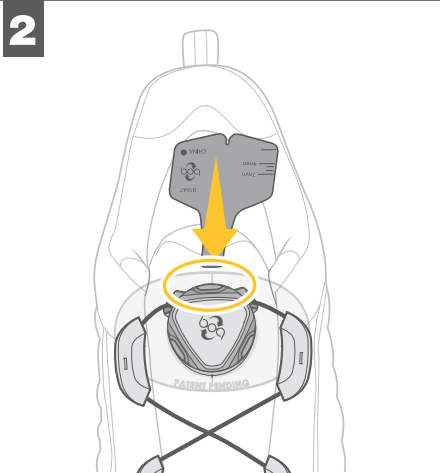
Contact information:

Phone: 1.888.755.5126 Fax: 1.303.455.0575

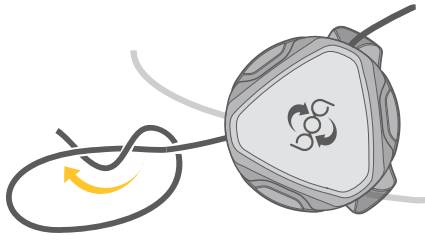
Email: info@BoaTechnology.com

Questions: boatechnology.com

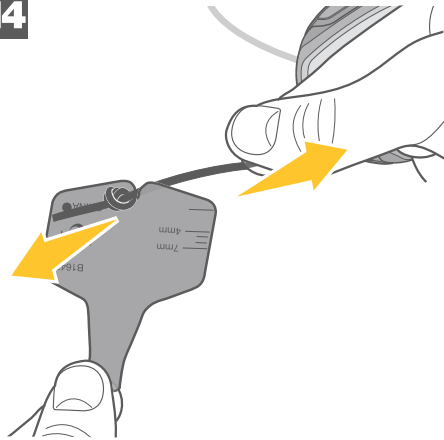
CONTENTS



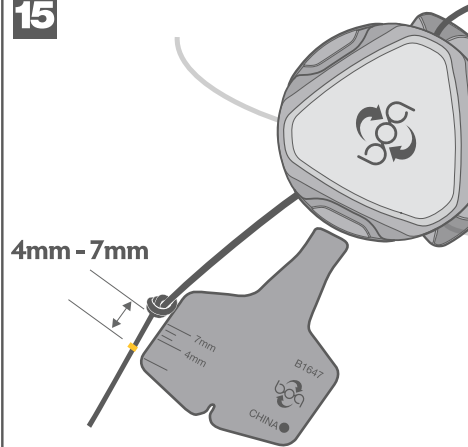
13



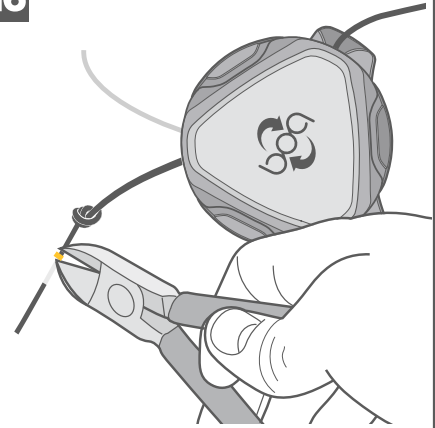
14



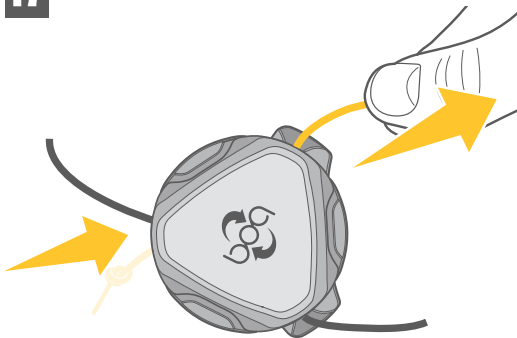
15



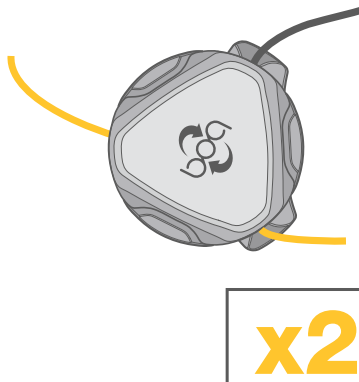
16



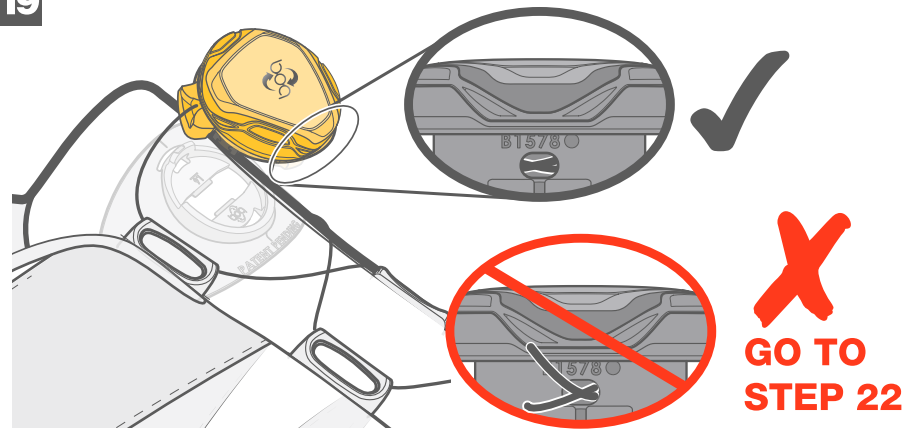
17



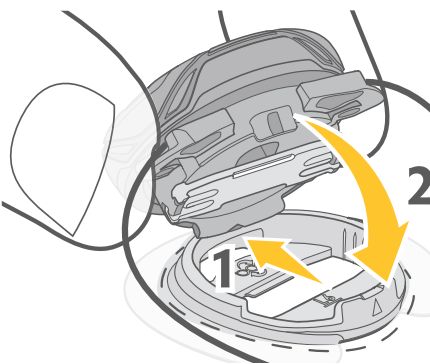
18



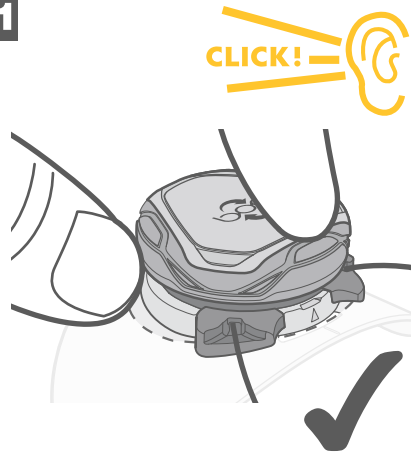
19



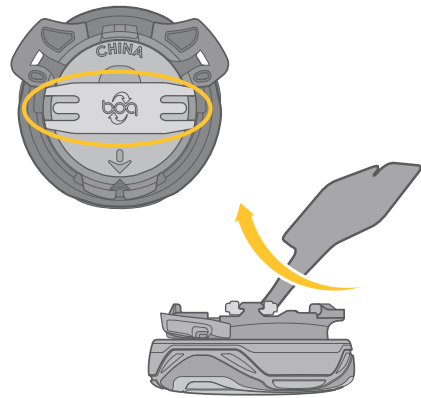
20



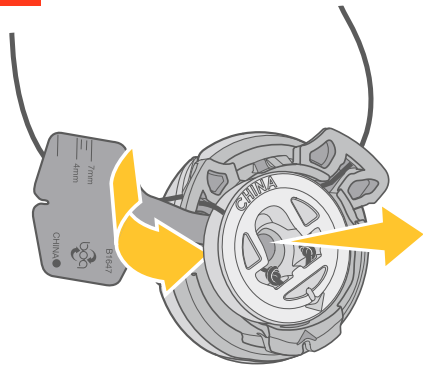
21



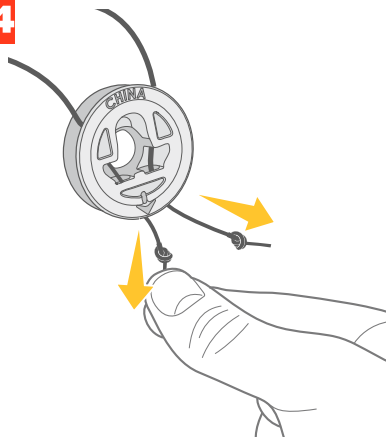
22



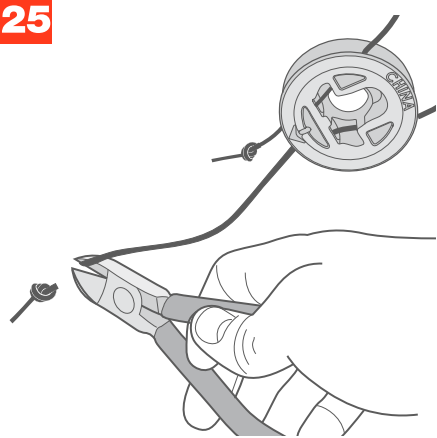
23



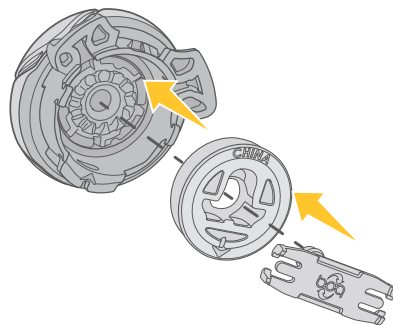
24



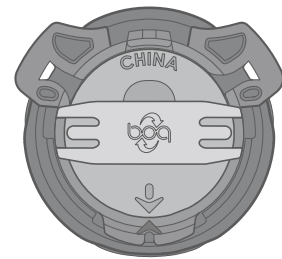
25



26



27



RETURN TO
STEP 8